

Features

- 23½" (597) x 19¼" (502) x 9²⁹/₃₂" (252) Belfast sink.
- Single compartment with channeled overflow. Defined by its oblong form, glazed on all four sides enabling above counter installation or undercounter design with either long or short face exposed.
- Farmhouse style with a wrap around 9²⁹/₃₂" (252) high apron front.
- 2" drain opening.
- Made of highest grade fireclay, which is clay heated to an extremely high 1600° making the sink hard and durable, with a beautiful high shine.
- Durability of fireclay means it is resistant to scratches and chips and is easy to clean.
- Deep bowl means more room for big pots.
- Fits 30" (762) base cabinet width.

Components

Product includes:
Installation Instructions

Options

TSGB24201 Stainless Steel Bottom Sink Grid

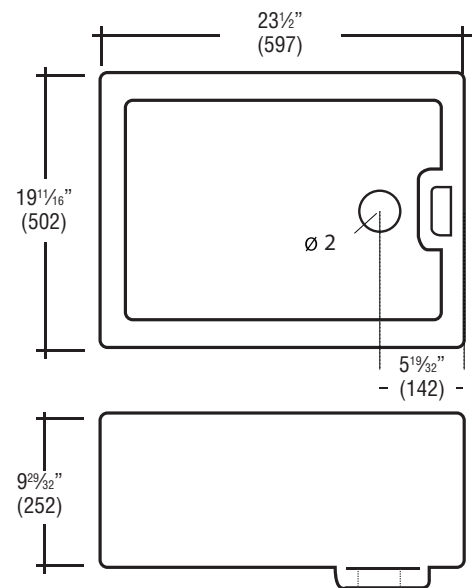
Warranty

- Lifetime Limited Warranty



Specified Model

Model	FUSB242010
Overall Dimensions	L23½" x W19¼" x D9 ²⁹ / ₃₂ " 800 x 502 x 252
Bowl Dimensions	L21¾" x W17⅞" x D9½" 552 x 454 x 241
Drain hole:	2" (50.8mm)
Shipping Weight	88.2 lbs.
Material	Fireclay
Color	White
Installation	under counter mounted
Required	template, included



Codes/Standards

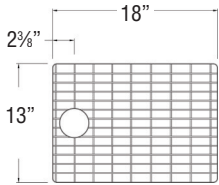
ASME A112.19.3/CSA B45.4

Notes

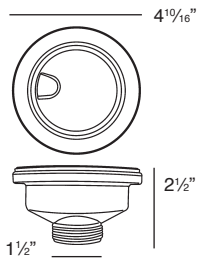
Install this product according to the installation instructions.

Optional Accessories

TSGB24201 Bottom Sink Grid

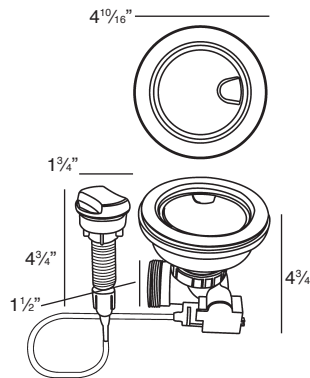


2210R Covered Flip Top Sink Strainer.



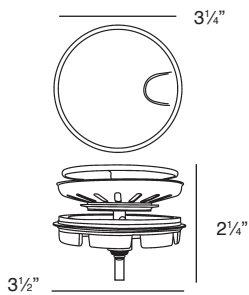
Water drains easily when cover is in place. Cover flips up with easy touch. Cover makes a flat surface at the sink bottom that prevents food waste from getting into the strainer basket for easy sink clean up. Polypropylene housing. Fits standard 3½" opening.

2310 Remote Covered Flip Top Sink Strainer.



Turn the remote knob to open and close drain. Water drains easily when cover is in place. Cover flips up with easy touch. Cover makes a flat surface at the sink bottom that prevents food waste from getting into the strainer basket for easy sink clean up. Polypropylene housing. Fits standard 3½" opening. 1 3/8" hole required in countertop for remote installation. Remote cable 25½" L.

4010 Covered Flip Top Disposer Strainer.



Water drains easily when cover is in place. Cover flips up with easy touch. Polypropylene housing. Top mount installation for 3½" opening.